



SX652

SX692

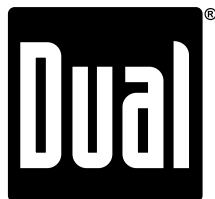
SX SERIES

INSTALLATION/OWNER'S MANUAL

Car Audio Speakers

DUAL AUDIO

LOUD & CLEAR





Getting Started

Thank you for purchasing the SX Series car speakers. Although Dual has attempted to make sure all of the information contained within this manual is accurate, please be aware that any part of it is subject to change without notice.

Safety

**CAUTION**

This symbol is intended to alert the user to the presence of important instructions. Failure to heed these instructions can result in injury or unit damage.

**CAUTION**

To prevent injury and damage to the unit, please read and follow the instructions in this manual.

**CAUTION**

If you feel unsure about installing this system yourself, have it installed by a qualified audio technician.

**CAUTION**

Before installation, disconnect the battery negative (-) terminal to prevent damage to the unit, fire and/or possible injury.

**CAUTION**

Do not connect Amplifier or any audio source to illumination inputs. Inputs are designed for 12 volt power source only.

Installation

**CAUTION**

The following installation instructions are very basic. If you feel unsure about personally installing this speaker system, Dual recommends acquiring the services of a professional car audio installation center.

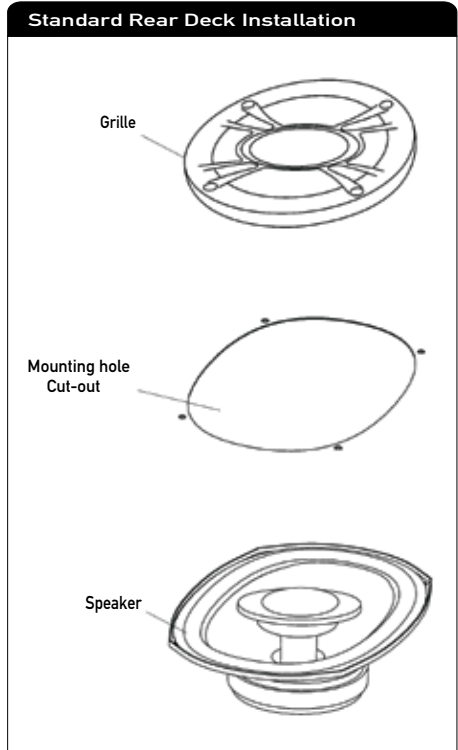
Before installation, please follow these guidelines:

1. Be sure to carefully read and understand the instructions before attempting to install this product.
2. For safety, disconnect the negative terminal from the battery prior to beginning the installation.
3. For easier assembly: If additional wiring is required, we recommend running all wires prior to mounting your speaker in place.
4. Use the highest quality connectors for a reliable installation and to minimize signal or power loss.
5. Use caution before you drill or cut! Be careful not to cut or drill into gas tanks, fuel lines, brake or hydraulic lines, vacuum lines or electrical wiring when working on any vehicle.
6. Never run speaker wires underneath your vehicle. Running speaker wires inside the vehicle provides the best protection from exhaust heat and environmental elements.
7. Avoid running wires over, near, or through sharp edged surfaces. We suggest you also use rubber grommets to protect any wires routed through metal, especially the firewall.

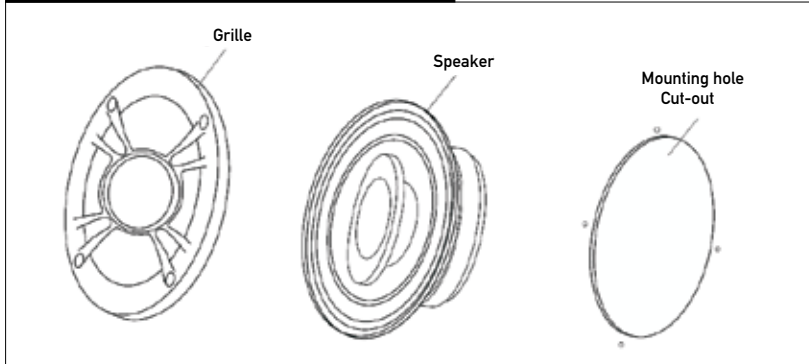


Mounting

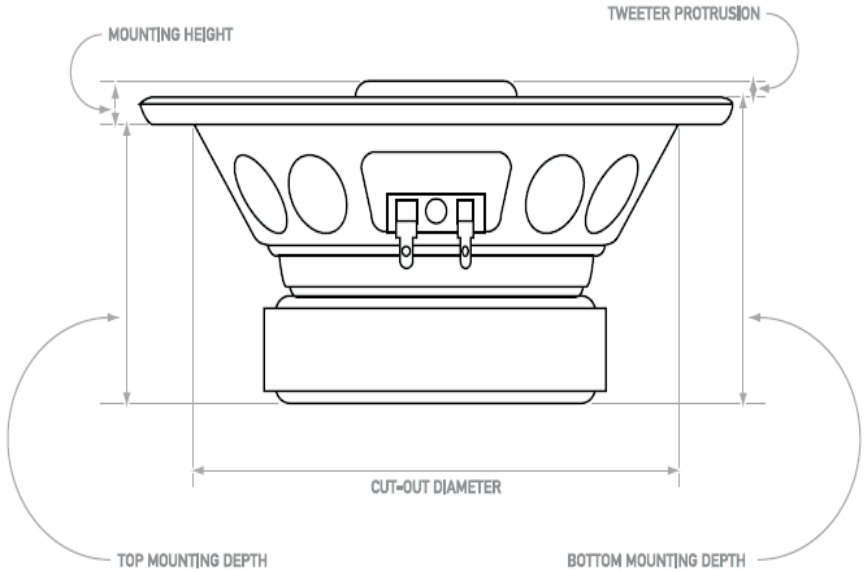
1. Determine where the speakers will be mounted. Make sure the area is large enough for the speaker to mount evenly. Also ensure the mounting location is deep enough for the speaker to fit.
2. Refer to the specification chart to determine the proper diameter hole to cut for your speaker model.
3. If supplied, use the plastic mounting ring as a template to mark the locations for the mounting screws. Drill the holes with a 3/32" bit.
4. Be sure to observe proper polarity when connecting the wires. The speaker's positive terminal is indicated with a "+" symbol.
5. Fit the speaker to the hole cut-out. Mount the speaker using the supplied screws. If the speaker grill is to be used, insert 4 screws into the grill holes and then mount the speaker.



Standard Door Installation



Mounting



The diagram featured above is to be used in conjunction with the specifications matrix guide below:

	Grill Dimensions (HxWxD) or (HxDiameter)	Top-Mounting Depth	Bottom-Mounting Depth	Mounting Depth	Tweeter Protrusion	Cut-out Diameter	Sensitivity (dB)	Frequency Response	Recommended Power (watts RMS)	Peak Power (watts IP2)	Impedance
	Fractional Inches										
SX652	7" x 5/8"	2 1/4"	2 7/16"	3/4"	9/16"	5 3/4"	90	60Hz - 23kHz	75	225	4
SX692	10 7/16" x 7 9/16" x 11/16"	3 5/16"	3 1/2"	11/16"	1/2"	6" x 8.75"	90	55Hz - 23kHz	100	300	4



Limited One-Year Warranty

This warranty gives you specific legal rights. You may also have other rights which vary from state to state.

Dual Electronics Corp. warrants this product to the original purchaser to be free from defects in material and workmanship for a period of one year from the date of the original purchase.

Dual Electronics Corp. agrees, at our option, during the warranty period, to repair any defect in material or workmanship or to furnish an equal new, renewed or comparable product (whichever is deemed necessary) in exchange without charges, subject to verification of the defect or malfunction and proof of the date of purchase. Subsequent replacement products are warranted for the balance of the original warranty period.

Who is covered? This warranty is extended to the original retail purchaser for products purchased and used in the U.S.A.

What is covered? This warranty covers all defects in material and workmanship in this product. The following are not covered: installation/removal costs, damage resulting from accident, misuse, abuse, neglect, product modification, improper installation, incorrect line voltage, unauthorized repair or failure to follow instructions supplied with the product, or damage occurring during return shipment of the product.

What to do?

1. Before you call for service, check the troubleshooting guide in your owner's manual. A slight adjustment of any custom controls or connections discussed in your instruction booklet may save you a service call.
2. If you require service during the warranty period, you must carefully pack the product (preferably in the original package) and ship it by prepaid transportation with a copy of the original receipt from the retailer to an authorized service center.
3. Please describe your problem in writing and include your name, a return UPS shipping address (P.O. Box not acceptable), and a daytime phone number with your shipment.
4. For more information and for the location of the nearest authorized service center please contact us by one of the following methods:

Call us toll-free at 1-866-382-5476
E-mail us at cs@dualav.com

Exclusion of Certain Damages: This warranty is exclusive and in lieu of any and all other warranties, expressed or implied, including without limitation the implied warranties of merchantability and fitness for a particular purpose and any obligation, liability, right, claim or remedy in contract or tort, whether or not arising from the company's negligence, actual or imputed. No person or representative is authorized to assume for the company any other liability in connection with the sale of this product. In no event shall the company be liable for indirect, incidental or consequential damages.



Notes



Dual Electronics Corporation
Toll Free: 1-866-382-5476

www.dualav.com

©2008 Dual Electronics Corp. All rights reserved.
NSA0608-V01